



SPECIFICATION FOR APPROVAL

Customer : _____
Description : EST FAN (Energy Saving Technology Fan)
Customer Part No. _____ REV. : _____
Delta Model No. AFL25A2LU-00ASU REV. : 00
Sample Issue No. _____
Sample Issue Date : NOV.08 2017

PLEASE SEND ONE COPY OF THIS SPECIFICATION BACK AFTER YOU SIGNED APPROVAL FOR PRODUCTION PRE-ARRANGMENT.

APPROVED BY:

DATE :

DELTA ELECTRONICS, INC.
TAOYUAN PLANT
252, SHANG YING ROAD, KUEI SAN INDUSTRIAL ZONE
TAOYUAN SHIEN, TAIWAN, R.O.C.
TEL:886-(0)3-3591968
FAX:886-(0)3-3591991

Delta Electronics, Inc.
No.252, Shanying Rd., Guishan Dist.,
Taoyuan City 333, Taiwan (R.O.C.)

TEL : 886-(0)3-3591968
FAX : 886-(0)3-3591991

STATEMENT OF DEVIATION

NONE

DESCRIPTION:

Delta Electronics, Inc.
 No.252, Shanying Rd., Guishan Dist.,
 Taoyuan City 333, Taiwan (R.O.C.)

TEL : 886-(0)3-3591968
 FAX : 886-(0)3-3591991

Specification for approval

Customer : _____

Description : EST FAN (Energy Saving Technology Fan)

Customer P/N : _____

rev. : _____

Delta model no. : AFL25A2LU-00ASU

Delta Safety Model No.: MR85A2PF-1652

Sample revision. : 00

Issue no.: _____

Sample issue date : NOV. 08 2017

Quantity : _____

1. SCOPE:

THIS SPECIFICATION DEFINES THE ELECTRICAL AND MECHANICAL CHARACTERISTICS OF THE DC BRUSHLESS AXIAL FLOW FAN.

2. CHARACTERS: (PERFORMANCE ARE PREDICTION)

ITEM	DESCRIPTION
NOMINAL VOLTAGE (VAC)	230 VAC (50/60Hz)
NOMINAL VOLTAGE RANGE	200 - 240 VAC
INPUT POWER (FREE AIR)	13.5W TYP.
INPUT POWER (MAX. LOAD)	30W MAX.
MAIN SPEED (FREE AIR)	1600±10% R.P.M.
*SPEED 2 (FREE AIR)	1000±10% R.P.M.
MAX. AIR FLOW @1600RPM (AT ZERO STATIC PRESSURE)	9.83 M ³ /MIN. (TYP.) 347 CFM (TYP.)
MAX. AIR PRESSURE @1600RPM (AT ZERO AIRFLOW)	12.8 mmH ₂ O (TYP.) 0.50 inchH ₂ O (TYP.)
ACOUSTICAL NOISE @1600RPM (1M) (NOTE4)	51.8 (MAX. 56.0) dB(A)
INSULATION TYPE	UL: CLASS B

(continued)

*SPEED FUNCTION SETTING AT PAGE 4.

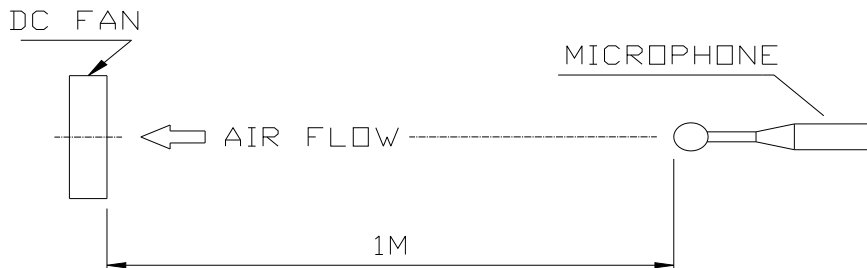
PART NO:

DELTA MODEL: AFL25A2LU-00ASU

INSULATION STRENGTH	10 MEGA OHM MIN. AT 500 VDC (BETWEEN FRAME AND (+) TERMINAL)
DIELECTRIC STRENGTH	5 mA MAX. AT 500 VAC 50/60 Hz ONE MINUTE (BETWEEN FRAME AND (+) TERMINAL)
ROTATION	CLOCKWISE VIEW FROM NAME PLATE SIDE
OVER CURRENT SHUT DOWN	THE CURRENT WILL SHUT DOWN, WHEN ROTOR LOCKED AND FIXED.

NOTES:

1. ALL READINGS ARE MEASURED AFTER STABLY WARMING UP THROUGH 10 MINUTES.
2. STANDARD AIR PROPERTY IS AIR AT (Td) 25°C TEMPERATURE, (RH) 65% RELATIVE HUMIDITY , AND (Pb) 760 mmHg BAROMETRIC PRESSURE.
3. THE VALUES WRITTEN IN PARENS , (), ARE LIMITED SPEC.
4. ACOUSTICAL NOISE MEASURING CONDITION:



NOISE IS MEASURED AT RATED VOLTAGE IN FREE AIR IN SEMI-ANECHOIC CHAMBER WITH B & K SOUND LEVEL METER WITH MICROPHONE AT A DISTANCE OF 1.0M FROM THE FAN INTAKE.

PART NO:

DELTA MODEL: AFL25A2LU-00ASU

3. MECHANICAL:

- 3-1. DIMENSIONS----- SEE DIMENSIONS DRAWING
- 3-2. FRAME----- PLASTIC UL: 94HB
- 3-3. IMPELLER----- PLASTIC UL: 94HB OR 94V-0
- 3-4. BEARING SYSTEM----- TWO BALL BEARINGS
- 3-5. WEIGHT-----1.1 KILOGRAMS (REF.)
- 3-6. INGRESS PROTECTION LEVEL -----IP-55

4. ENVIRONMENTAL:

- 4-1. OPERATING TEMPERATURE----- -20 TO +60 DEGREE C
- 4-2. STORAGE TEMPERATURE----- -40 TO +85 DEGREE C
- 4-3. OPERATING HUMIDITY----- 5 TO 90 % RH
- 4-4. STORAGE HUMIDITY----- 5 TO 95 % RH

5. PROTECTION:

- 5-1. LOCKED ROTOR PROTECTION
- 5-2. OVER CURRENT PROTECTION
- 5-3. MOTOR OVER TEMP. PROTECTION

6. RE OZONE DEPLETING SUBSTANCES:

- 6-1. NO CONTAINING PBBs, PBBOs, CFCs, PBBEs, PBDPEs AND HCFCs.

7. PRODUCTION LOCATION

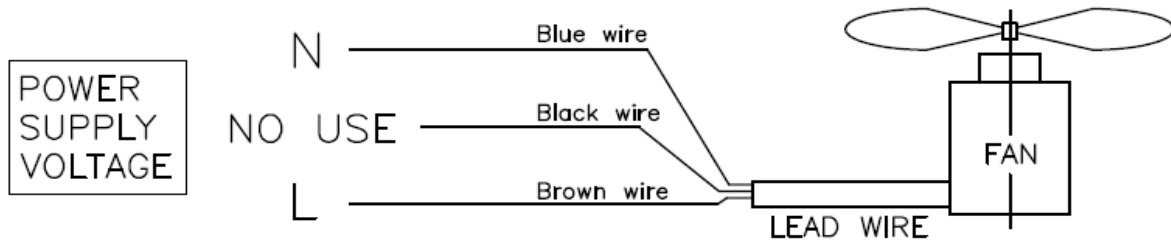
- 7-1. PRODUCTS WILL BE PRODUCED IN CHINA.

PART NO:

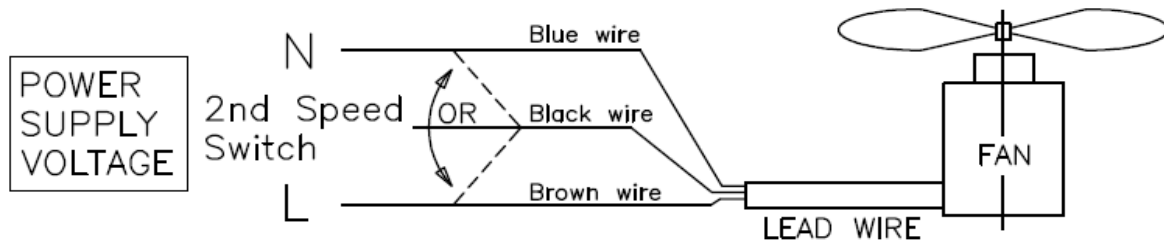
DELTA MODEL: AFL25A2LU-00ASU

8. SPEED FUNCTION:

* MAIN SPEED SETTING:



* SPEED 2 SETTING:



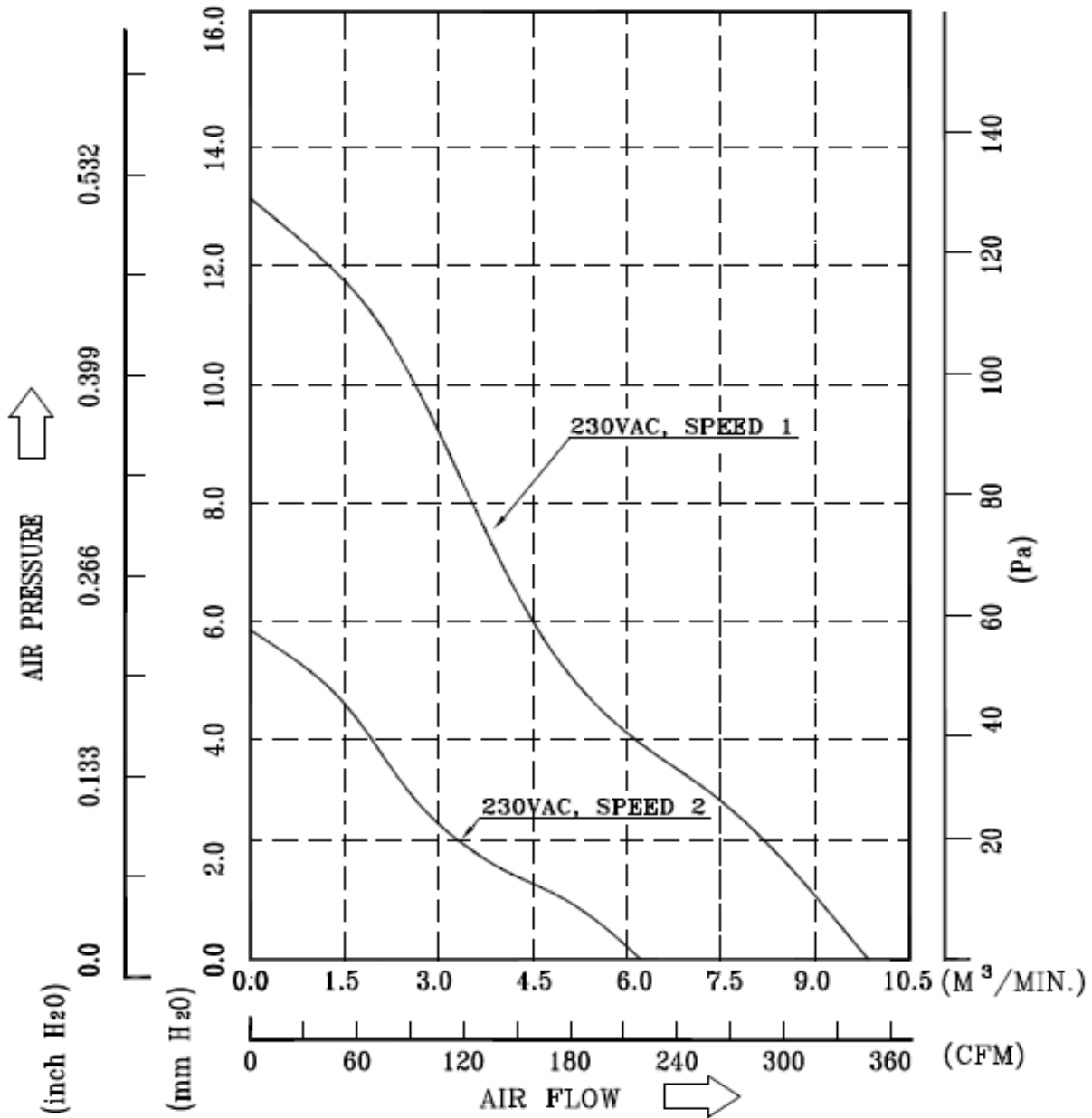
NOTES:

*BLUE WIRE (N) DO NOT TOUCH BROWN WIRE (L) DIRECTLY DURING OPERATION

PART NO:

DELTA MODEL: AFL25A2LU-00ASU

9. P & Q CURVE:

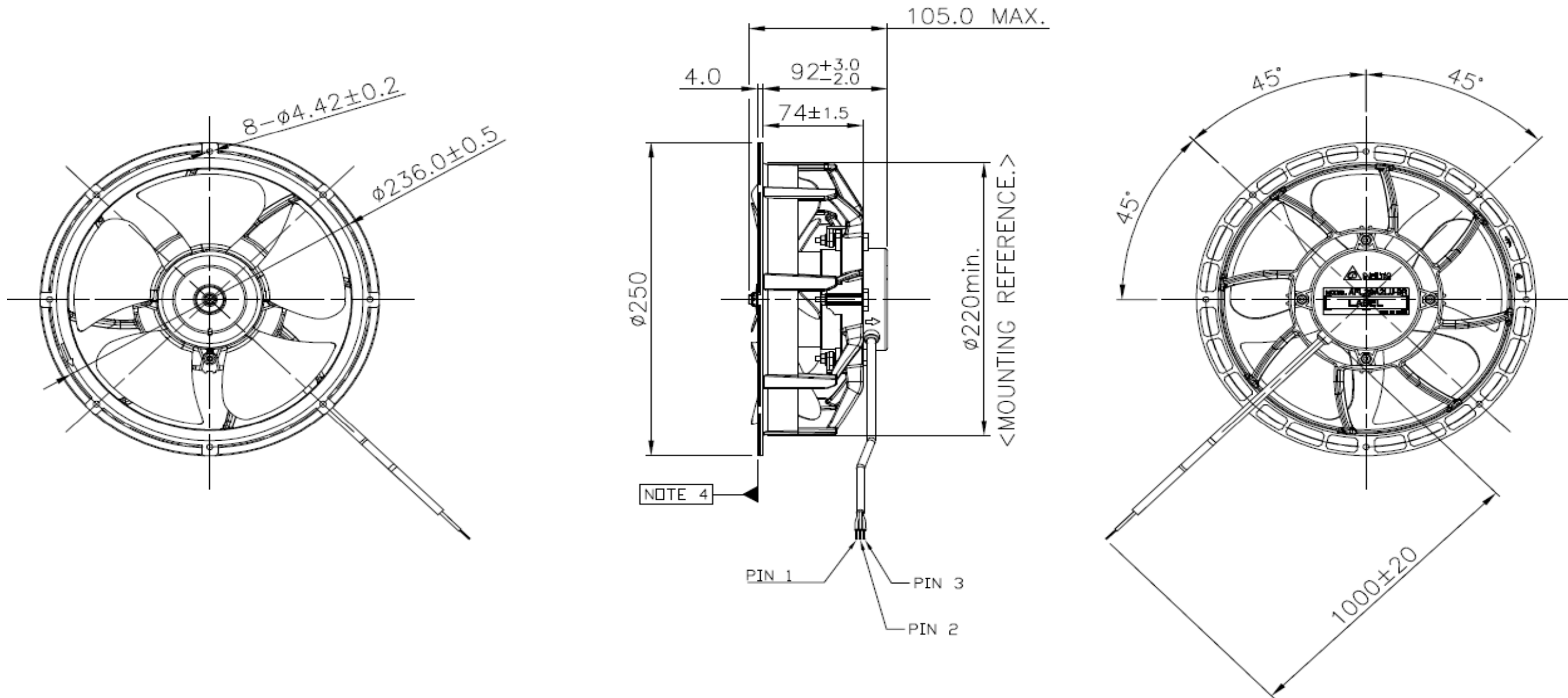


*TEST CONDITION: INPUT VOLTAGE-----OPERATION VOLTAGE
TEMPERATURE-----ROOM TEMPERATURE
HUMIDITY-----65%RH

PART NO:

DELTA MODEL: AFL25A2LU-00ASU

10. DIMENSION DRAWING:



NOTES: 1. THIS PRODUCT IS RoHS COMPLIANT

2. LEAD WIRE

PIN 1: BLUE WIRE: N

PIN 2: BROWN WIRE: L

PIN 3: BLACK WIRE (SPEED 2)

UL 2464 18AWG/3C(80°C) -LF-

3. IMPELLER DIAMETER IS 200mm

4. FINGER GUARD USING SUGGESTION : INTERNAL HEIGHT DIMENSION BETWEEN FINGER GUARD AND TOP SURFACE OF FRAME MUST HAS 15 mm MINIMUM.

UNIT: mm

PART NO:

DELTA MODEL: AFL25A2LU-00ASU

11. SAFETY LABEL:

LABEL 1: SAFETY MARK

MR85A2PF-165200		IIS G Ex nA IIC Gc TUV 16 ATEX 7960 X	T		Type Approved Safety Regular Production Surveillance www.tuv.com ID 2000000000
200-240VAC 50/60Hz					
INPUT POWER 25 W					
OUTPUT POWER 16 W 1600/1000RPM					
CONT. CLASS B TA:60°C DCGP					
17220M35F					
					DELTA ELECTRONICS, INC.

LABEL 2: CE REQUEST ADDRESS LABEL (OPTIONAL BY SHIPPING REGION)

EU Contact Address :
Delta Electronics (Netherlands) BV
Zandsteen 15, 2132 MZ Hoofddorp, The Netherlands

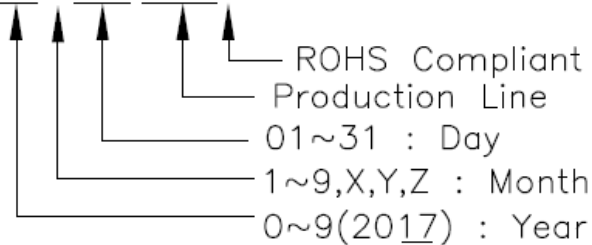
Notes:

Date Code Definition :

Example: 2017/2/20

Production Line: M01, M02, ...

17220M35F





Application Notice

- 1. Delta will not guarantee the performance of the products if the application condition falls outside the parameters set forth in the specification.**
- 2. A written request should be submitted to Delta prior to approval if deviation from this specification is required.**
- 3. Please exercise caution when handling fans. Damage may be caused when pressure is applied to the impeller, if the fans are handled by the lead wires, or if the fan was hard-dropped to the production floor.**
- 4. Except as pertains to some special designs, there is no guarantee that the products will be free from any such safety problems or failures as caused by the introduction of powder, droplets of water or encroachment of insect into the hub.**
- 5. The above-mentioned conditions are representative of some unique examples and viewed as the first point of reference prior to all other information.**
- 6. Delta fans without special protection are not suitable where any corrosive fluids are introduced to their environment.**
- 7. Please ensure all fans are stored according to the storage temperature limits specified. Do not store fans in a high humidity environment. We highly recommend performance testing is conducted before shipping, if the fans have been stored over 6 months.**
- 8. Not all fans are provided with the Lock Rotor Protection feature. If you impair the rotation of the impeller for the fans that do not have this function, the performance of those fans will lead to failure.**
- 9. Please be cautious when mounting the fan. Incorrect mounting of fans may cause excess resonance, vibration and subsequent noise.**
- 10. It is important to consider safety when testing the fans. A suitable fan guard should be fitted to the fan to guard against any potential for personal injury.**
- 11. Except where specifically stated, all tests are carried out at room (ambient) temperature and relative humidity conditions of 25°C, 65% RH. The test value is only for fan performance itself.**